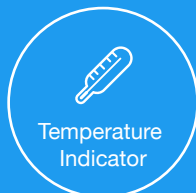


Intelligent Access Control Camera

With Face Recognition and Temperature Indicator



- German Temperature Sensor with Accuracy $\pm 0.3\text{ C}$
- Temperature Taking time $\leq 500\text{ms}$
- Elevated Temperature alarm, access restricted
- Face Recognition accuracy $\geq 97\%$
- Support recognition with mask
- Support living object detection, avoid picture fraud.
- Support Multi-language IE and speaker
- Free professional VMS to export data, attendance and people counting





Temperature Detection Mode

- Take temperature of any visitor, display on the screen
- With built-in speaker to tell temperature is normal or not.
- when temperature is not normal, VMS will pop up a window with visitor's snapshot and alarm sound.

Temperature + Face Recognition Mode

- First, import photo or snapshot picture from camera, set up whitelist/VIP list
- When visitor in your list passes by, it will recognize the face, show the ID in your system and take the temperature. Either face recognition failed or temperature too high, the visitor can not access the door (if connected)
- Meanwhile, VMS got snapshot and temperature records, alarm sound if temperature is too high.



Mask Detection Open/Close

- Under any mode, user can select to open or close mask detection
- When mask detection is opened, any visitor who is approaching the camera without wearing mask, can not enter, and get warn from speaker, "Wear Mask Please".

SPECIFICATION

Hardware

Chipset	Hi3516DV300
System	Linux operation system
RAM	16G EMMC
Image sensor	1/2.7" CMOS
Lens	4mm

Face Recognition

Height	1.2-2.2 M, angle adjustable
Distance	0.5-3 Meters
View angle	Vertical ± 30 degree
Reco. Time	< 500ms
Function	Support 19200 faces database and 100000 records

Interface

Internet interface	RJ45 10M/100M Ethernet
Weigand port	Support output 26 and 34
Alarm output	1channel relay output
USB port	1USB port (Can be connected to ID identifier)

Camera Parameters

Effective pixel	2Mega pixel, 1920*1080
Min. lux	Color 0.01Lux @F1.2(I-CR);B/W 0.001Lux @F1.2
SNR	≥ 50 db(AGC OFF)
WDR	≥ 80 db

Temperature

Range	30-45 (°C)
Accuracy	± 0.3 (°C)
Distance	≤ 1 meter (default 0.5M)
Response time	< 300ms

General

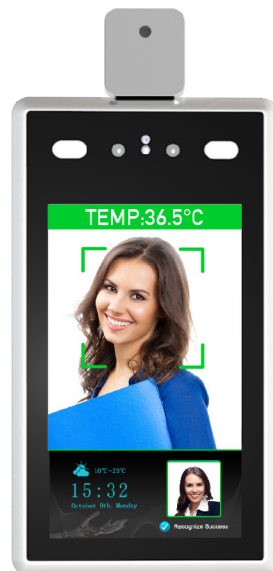
Power input	DC 12V/3A
Power consumption	20W(MAX)
Working temperature	0°C ~ +50°C
Humidity	5~90%, no condense
Dimension	154(W) * 89(H) * 361.4(L)mm
Weight	2.1 kg







Applications

Schools, Super markets, Residence Estate, Buildings, Warehouse, Factories, Metro Stations, etc.



Dimension & Interface



-  RJ45
-  DC 12V
-  Alarm output I/O
-  WC in Reserved
-  WC output, pin 1 DO, 2 D1, 3 GND
-  USB port

Bracket and Accessories

Camera comes with either pole or wall bracket, needs to state bracket option in advance.

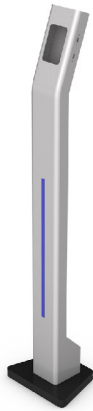


Pole Bracket

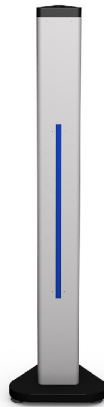


Wall Bracket

Optional Bracket



Stand Bracket Wall Mount (1.3M)



Stand Bracket Pole Mount (1.1M)



Desktop Bracket (0.4M)

Certificates



CE



FCC